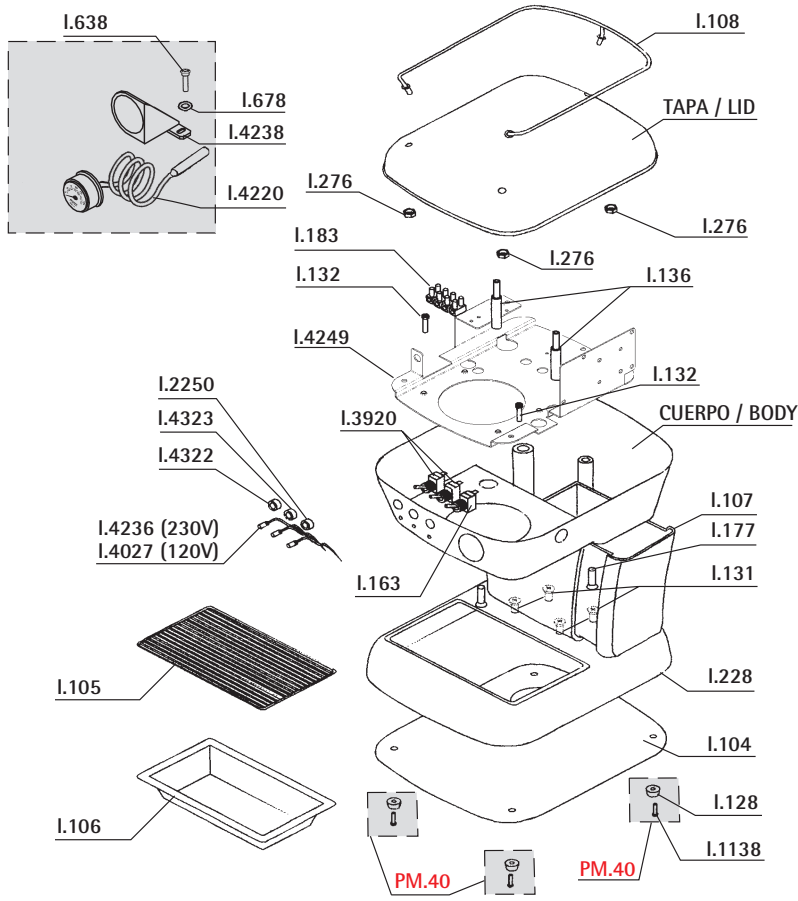




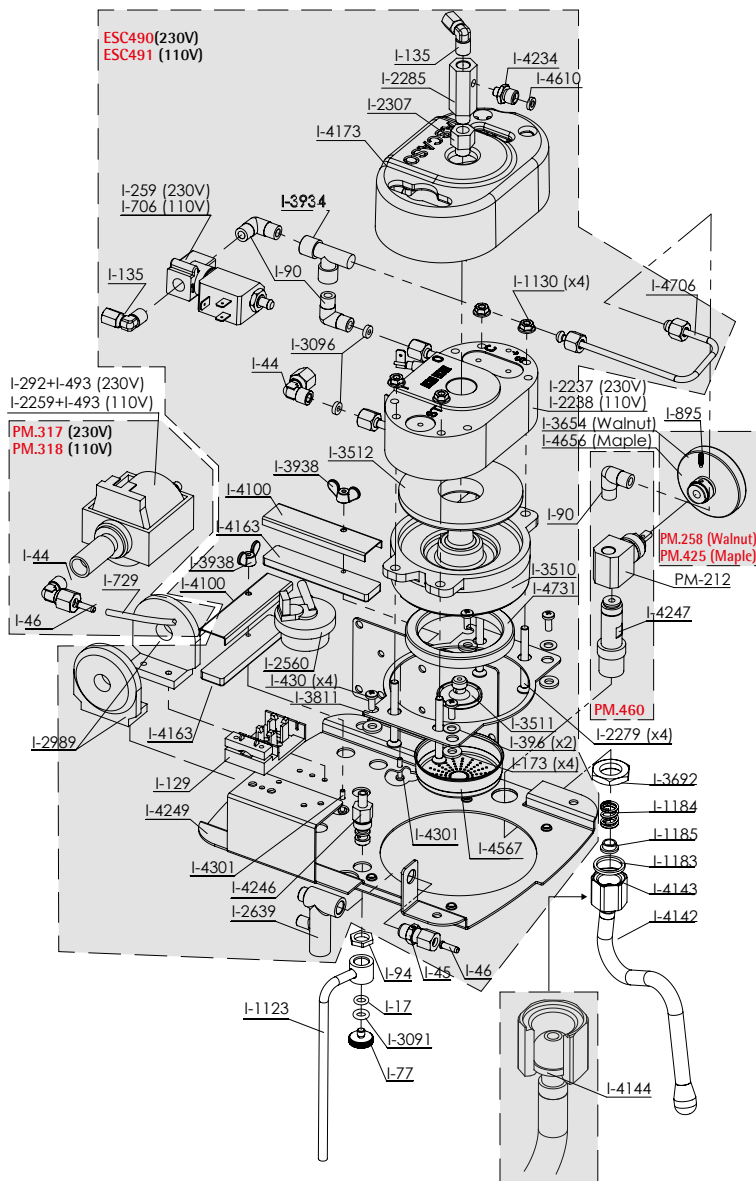
Dream PID 2019



	Ambarillo mate Textured yellow	Antracita Anthracite	Negra mate Mat black	Polida Polish	Celeste mate Mat light blue	Blanca mate Mat white	Crema mate Mat cream	Pistacho Royal pistachio
Tapa/Lid	I.202	I.205	I.207	I.208	I.341	I.370	I.2957	I.4499
Cuerpo/Body	I.4314	I.4271	I.4269	I.4272	I.4496	I.4270	I.4310	I.4497

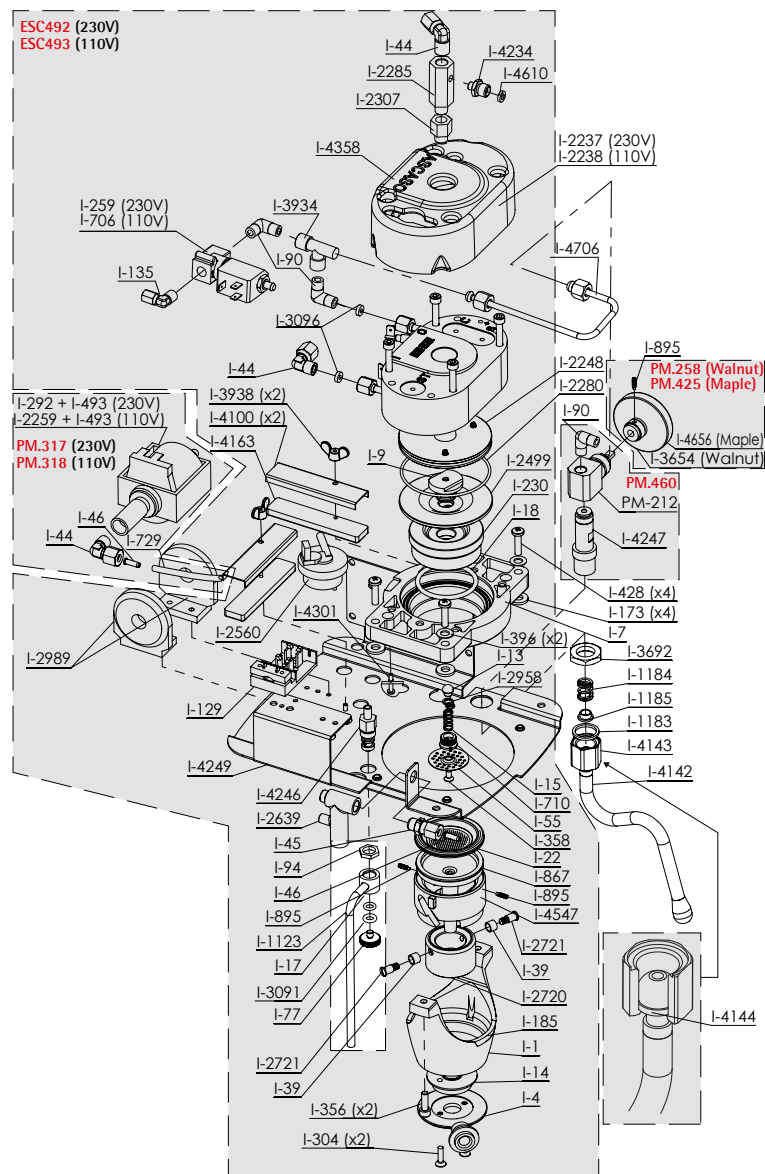
REF.	DESCRIPCIÓN	DESCRIPTION
I..104	BASE FONDO DREAM	DREAM BASE
I..105	REJILLA DREAM	DREAM GRID
I..106	BANDEJA DREAM INOX	INOX DREAM TRAY
I..107	DEPOSITO DREAM	DREAM WATER TANK
I..108	BARANDILLA DREAM	DREAM BANISTER
I..128	PIE GOMA	RUBBER FOOT
I..131	TORNILLO FIJ. CUERPO DREAM	SCREW
I..132	TORNILLO FIJ. BASE MECAN.DREAM	DREAM FIXATION SCREW
I..136	UNION TAPA DREAM	DREAM LID UNION
I..163	INTERRUPTOR DREAM ON-OFF	DREAM ON-OFF SWITCH
I..177	TORNILLO TAPA DREAM INOX	INOX DREAM LID SCREW
I..183	REGLETA 4 VIAS	4 WAYS CONNECTOR
I..228	BASE DREAM PULIDA	POLISH DREAM BASE
I..276	TUERCA M8	M8 NUT
I..638	TORNILLO SUJECION TERMOMETRO INOX	THERMOMETER SCREW
I..678	ARANDELA DIN9021 M5 ZINCADA	WASHER
I.1138	TORNILLO M5X15 INOX	M5X15 INOX SCREW
I.2250	TUERCA INTERRUPTOR DREAM ON/OFF	DREAM ON/OFF SWITCH NUT
I.3920	INTERRUPTOR CAFE STEEL TRONIC 2016	COFFEE SWITCH STEEL TRONIC 2016
I.4027	PILOTO BLANCO STEEL 120V	PILOT WHITE STEEL 120V
I.4220	MANOMETRO DREAM/STEEL	MANOMETER DREAM/STEEL
I.4236	PILOTO BLANCO STEEL 230V	PILOT WHITE STEEL 220V
I.4238	SOPORTE MANOMETRO DREAM PID	MANOMETER BRACKET DREAM PID
I.4249	CHAPA GRUPO DREAM PID	DREAM PID GROUP PLATE
I.4322	TUERCA INTERRUPTOR DREAM PID WATER-STEAM	DREAM PID WATER-STEAM SWITCH NUT
I.4323	TUERCA INTERRUPTOR DREAM PID COFFEE	COFFEE DREAM PID SWITCH NUT
PM..40	CONJUNTO PATA DREAM	DREAM FOOT WHOLE

Grupo Café Dream PID ■ Dream PID Coffee Group

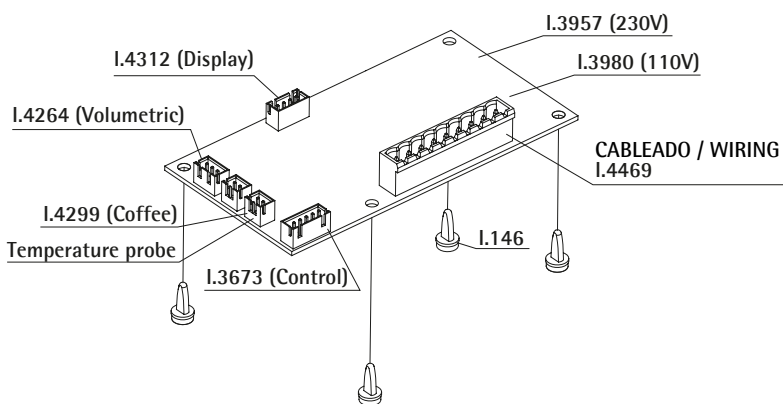
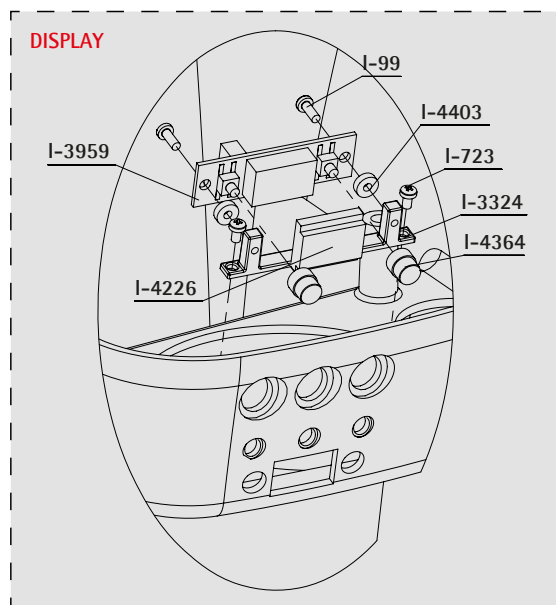


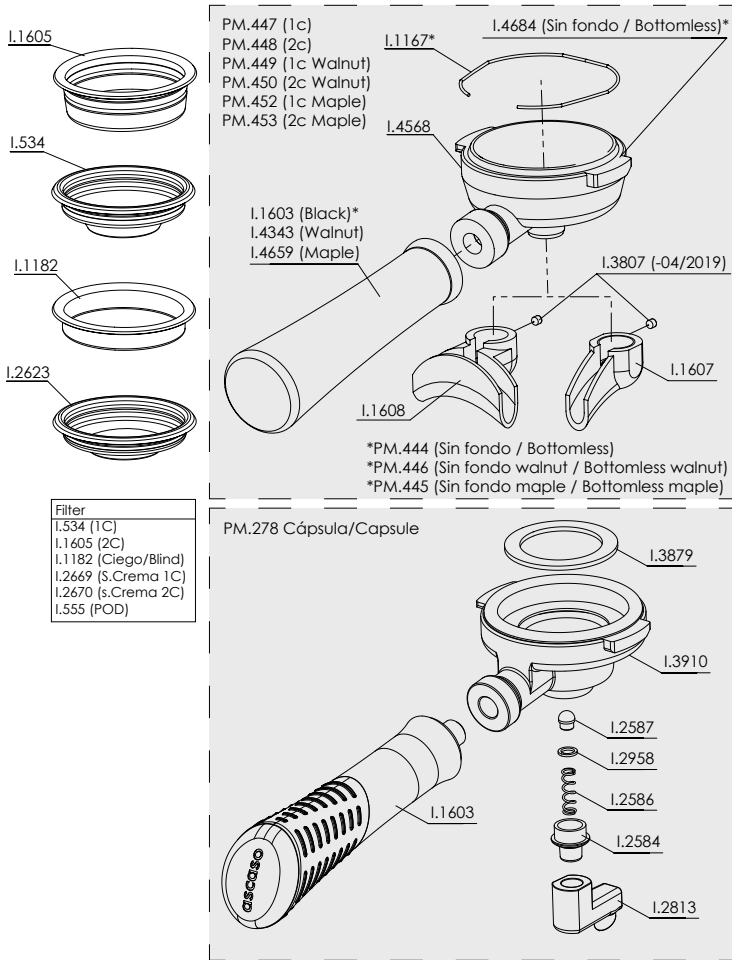
REF.	DESCRIPCIÓN	DESCRIPTION
ESC490	GRUPO INTERC. INOX DREAM PID MOLIDO (230V)	GROUP INOX DREAM PID (230V)
ESC491	GRUPO INTERC. INOX DREAM PID MOLIDO (110V)	GROUP INOX DREAM PID (110V)
I..17	JUNTA TORICA	SILICONE RING
I..44	RACOR CODO	RL BOIX FITTING
I..45	RACOR RECTO	STRAIGHT FITTING
I..46	REFUERZO TUBO	PIPE REINFORCEMENT
I..77	FIJADOR TUBO VAPOR	PIPE STEAM SCREW
I..86	EMBELLECDOR POMO INOX	INOX HANDLE LID
I..90	RACOR CODO MACHO 1/8 LATON	1/8 FITTING
I..94	TUERCA APRIETE GRIFO	TUERCA APRIETE GRIFO
I..129	RETENEDOR CABLE	RETENEDOR CABLE
I..135	RACOR CODO 13280 4 1/8	FITTING
I..173	JUNTA GRUPO	TEFLON GASKET
I..259	ELECTROV.3 VIAS PASO 1.2 230V 1/8-1/8 0-15BAR	3 WAY SOLENOID
I..292	BOMBA CP4SP PLUS 230/240V 50Hz	230V 50Hz PUMP
I..396	ARANDELA DENTADA M5 INOX	WASHER
I..430	TORNILLO M5x6 INOX	SCREW M5x6 INOX
I..493	TERMOSTATO PROTECTOR BOMBA	PUMP PROTECTION THERMOSTAT
I..706	ELECTROV.3 VIAS PASO 1.2 120V 1/8-1/8 0-15BAR	120V 3 WAYS SOLENOID
I..729	TUBO TEFLON 4x6 (100mm)	4x6 (100mm) TEFLON PIPE
I..895	TORNILLO FIJACION EMBUDO INOX	FUNNEL FIXED SCREW
I.1123	TUBO DESCARGA	DRAIN PIPE
I.1130	TUERCA CON ARANDELA M5 INOX	NUT M5
I.1183	ARANDELA GRIFO AGUA	WATER TAP WASHER
I.1184	MUELLE GRIFO SALIDA VAPOR-AGUA	STEAM-WATER OUTLET TAP SPRING
I.1185	GUIA MUELLE GRIFO AGUA	SPRING GUIDE WATER TAP
I.2237	CJTO INTERCAMBIADOR INOX. 230V	THERMOBLOCK INOX. 230V
I.2238	CJTO INTERCAMBIADOR INOX. 110V	THERMOBLOCK INOX. 110V
I.2259	BOMBA CP4SP PLUS 110/240V 50Hz	110V 50Hz PUMP
I.2279	TORNILLO M5X50 DIN7991 A-4 80 INOX	SCREW M5X50 DIN7991 A-2 SS
I.2285	RACOR CONEXION GRIFO	FITTING
I.2307	PROLONGACION GRUPO BASIC	BASIC COFFEE GROUP EXTENSION
I.2560	CONTADOR VOLUMETRICO FHKSC	DIGIMESA FLOWMETER
I.2639	BY-PASS ASCASO	BY-PASS ASCASO
I.2852	TUBO TEFLON 2X4 (240mm)	TEFLON PIPE 2X4 (240mm)
I.2989	SILENT BLOCK BOMBA	PUMP SILENT BLOCK
I.3091	JUNTA TORICA D6x2.5 SILICONA	HEAT EXCHANGER GASKET
I.3096	JUNTA INTERCAMBIADOR	HEAT EXCHANGER GASKET
I.3510	CAMPANA PROF. 2016	BELL PROF. 2016
I.3511	ROCIADOR GRUPO PROF. 2016	SPRAY GROUP PROF. 2016
I.3512	POSTIZO CAMPANA PROF. 2016	BELL PROF. 2016 SUPPLEMENT
I.3654	POMO VAPOR MADERA DREAM	STEAM TAP WOOD DREAM
I.3692	TUERCA RACOR EV - SALIDA AGUA	RACORD NUT SOLENOID - WATER EXIT
I.3811	CHAPA SOPORTE GRUPO PROF 2016	GROUP PROF 2016 SUPPORT SHEET
I.3934	RACOR T 1/8 H-H-M	FITTING T 1/8 H-H-M
I.3938	TUERCA CON ALAS M3	NUT
I.4100	TAPA LED BAR/BARISTA RAISED 201	LED CAP BARISTA RAISED 2017
I.4142	TUBO VAPOR MD STEEL UNO/DUO PROF PTFE	UNO/DUO PROF PIPE PTFE
I.4143	TUERCA TUBO VAPOR/AGUA PTFE	NUT STEAM/ WATER PTFE
I.4144	JUNTA TEFLON TUBO VAPOR/AGUA PTFE	TEFLON GASKET STEAM/WATER
I.4163	ILUMINACION DREAM/STEEL	LIGHTING DREAM/STEEL
I.4173	FUNDA TERMICA INTECAMBIADOR INOX.	THERMAL CASE
I.4234	RACOR CONEXION INTER.-MAN. M6-1/8	RACOR CONNECTION THERM.
I.4246	RACORD CONEXION DESCARGA DREAM PID	WATER EXIT EXTENSION DREAM PID
I.4247	PROLONGACION GRIFO A 3/8"	TAP EXTENSION TO 3/8"
I.4249	CHAPA GRUPO DREAM PID	GROUP PLATE DREAM PID
I.4301	TORNILLO SR 1972 NYLON 6.6 NATURAL	NATURAL NYLON SCREW 6.6 SR1972
I.4567	DUCHA SIMPLE 60 MM	EASY SHOWER 60 MM
I.4610	JUNTA 8,5x4,4x2 PTFE	GASKET 8,5x4,4x2 PTFE
I.4656	POMO VAPOR MADERA DREAM ARCE	STEAM TAP WOOD DREAM MAPLE
I.4706	TUBO VAPOR DREAM PID	STEAM PIPE DREAM PID
I.4731	JUNTA PORTAFILTROS 7.8 mm	FILTERHOLDER GASKET 7.8MM
PM.212	CONJUNTO CUERPO GRIFO 2014	TAP ASSEMBLY 2014
PM.258	POMO VAPOR MADERA DREAM COMPLETO	SET STEAM TAP WOOD DREAM
PM.317	CJTO BOMBA DREAM PID 230V	230V PM DREAM PID PUMP WHOLE
PM.318	CJTO BOMBA DREAM PID 110V	110V PM DREAM PID PUMP WHOLE
PM.425	POMO VAPOR MADERA DREAM COMPLETO ARCE	SET STEAM TAP WOOD DREAM MAPLE
PM.460	CJTO GRIFO DREAM PID	WHOLE TAP DREAM PID

REF.	DESCRIPCIÓN	DESCRIPTION
ESC492	GRUPO INTERCAMBIADOR INOX DREAM PID PF 230V	GROUP DREAM PID THERM. INOX FH 230V
ESC493	GRUPO INTERCAMBIADOR INOX DREAM PID PF 110V	GROUP DREAM PID THERM. INOX FH 110V
L..1	BASE PORTA FLUO PULIDO	FIXED FILTERHOLDER BASE
L..4	SOPORTE MANGO	HANDLE SUPPORT
L..7	CÁMARA DE COMPRESION	COMPRESSION CHAMBER
L..9	CUERPO VALVULA RETENCION	RETENTION VALVE BODY
L..13	VALVULA SILICONA	SILICONE VALVE
L..14	CASQUILLO RODADURA	CAP
L..15	MUELLE VALVULA RETENCION	SPRING
L..17	JUNTA TORICA	SILICONE RING
L..18	JUNTA CALDA GRUPO	SILICONE RING
L..19	TORN.APRIETE SOPORT.MANGO INOX	SCREW
L..22	PLASTIC FUNNEL PF	Nº1 POD FILTER
L..39	RODILLO LEVA INOX	LEVER ROLLER
L..44	RACOR CODO	RL BOX FITTING
L..45	RACOR RECTO	STRAIGHT FITTING
L..46	REFUERZO TUBO	PIPE REINFORCEMENT
L..55	DUCHA	SHOWER
L..77	FLAJADOR TUBO VAPOR	PIPE STEAM SCREW
L..86	EMBELLECCOR POMO INOX	INOX HANDLE LID
L..90	RACOR CODO MACHO 1/8 LATON	1/8 FITTING
L..94	TUERCA APRIETE GRIFO	TUERCA APRIETE GRIFO
L.129	RETENEDOR CABLE	RETENEDOR CABLE
L.135	RACOR CODO 13280 4 1/8	FITTING
L.173	JUNTA TORICA	TEFLON GASKET
L.185	PROTECTOR PORTA FLUO	PROTECTOR
L.230	EMBOLO ALUMINIO	PISTON WITH SHOWER
L.259	ELECTROV. 3 VIAS PASO 1.2 230V 1/8-1/8 0-15BAR	3 WAY SOLENOID
L.292	BOMBA CPASP PLUS 230/240V 50Hz	230V 50Hz PUMP
L.304	TORNILLO ALLEN M5x15 INOX	SHOWER SCREW
L.356	TORNILLO ALLEN M5x15 INOX	ALLEN SCREW
L.358	TORNILLO PORTADUCHA M4 INOX	M4 SCREW
L.396	ARANDELA DENTADA M5 INOX	WASHER
L.428	TORNILLO M5x20 ZINCADO	SCREW M5x20 ZINCADO
L.493	TERMOSTATO PROTECTOR BOMBA	PUMP PROTECTION THERMOSTAT
L.706	ELECTROV. 3 VIAS PASO 1.2 120V 1/8-1/8 0-15BAR	120V 3 WAYS SOLENOID
L.710	TUERCA VALVULA RETENCION CON DUCHA	NUT
L.729	TUBO TEFLON 4x6 (1000mm)	4x6 (1000mm) TEFLON PIPE
L.867	EMBUDDO PLASTICO PF	PLASTIC FUNNEL PF
L.895	TORNILLO FLUACION EMBUDO INOX	FUNNEL FIXED SCREW
L.1123	TUBO DESCARGA	DRAIN PIPE
L.1183	ARANDELA GRIFO AGUA	WATER TAP WASHER
L.1184	MUELLE GRIFO SALIDA VAPOR-AGUA	STEAM/WATER OUTLET TAP SPRING
L.1185	AGUA MUELLE GRIFO AGUA	SPRING GUIDE WATER TAP
L.2237	C/TO INTERCAMBIADOR INOX. 230V	THERMOBLOCK INOX. 230V
L.2238	C/TO INTERCAMBIADOR INOX. 110V	THERMOBLOCK INOX. 110V
L.2248	TAPA NUEVO INTERCAMBIADOR	LID
L.2249	TORNILLO ALLEN M5x50 DIN912 INOX	SCREW M5x50 DIN912 INOX
L.2259	BOMBA CPASP PLUS 110/240V 50Hz	110V 50Hz PUMP
L.2280	JUNTA TORICA 68x2 SILICONA	O-RING 68x2 SILICONA
L.2285	RACOR CONEXION GRIFO	FITTING
L.2307	PROLONGACION GRUPO BASIC	BASIC COFFEE GROUP EXTENSION
L.2499	MEMBRANA KAP	SILICONE WASHER
L.2560	CONTADOR VOLUMETRICO FHKSC	DIGIMES FLOWMETER
L.2639	BY-PASS ASCASO	BY-PASS ASCASO
L.2710	LEVA 2015	LEVER 2015
L.2711	TORNILLO GUÍA 2015	GUIDE SCREW 2015
L.2720	VASTAGO ALUMINIO 2015	ALUMINIUM SHAFT 2015
L.2721	PIVOTE LEVA INOX 2015	INOX LEVER PIVOT 2015
L.2858	ARANDELA APOYO	WASHER
L.2899	SILENT BLOCK BOMBA	PUMP SILENT BLOCK
L.3091	JUNTA INTERCAMBIADOR	HEAT EXCHANGER GASKET
L.3096	JUNTA INTERCAMBIADOR	HEAT EXCHANGER GASKET
L.3654	POMO VAPOR. MADERA DREAM	STEAM TAP WOOD DREAM
L.3692	TUERCA RACOR EV - SALIDA AGUA	RACOR NUT SOLENOID - WATER EXIT
L.3934	RACOR T 1/8 H-H-M	FITTING T 1/8 H-H-M
L.3938	TUERCA CON ALAS M3	NUT
L.4100	TAPA LED BAR/BARISTA RAISED 2017	LED CAP BARISTA RAISED 2017
L.4142	TUBO VAPOR MD STEEL UNO/DUO PROF PTFE	UNO/DUO PROF PTFE
L.4143	TUERCA TUBO VAPOR/AGUA PTFE	NUT STEAM/ WATER PTFE
L.4144	JUNTA TEFLON TUBO VAPOR/AGUA PTFE	TEFLON GASKET STEAM/WATER
L.4163	LUMINACION DREAM/STEEL	LIGHTING DREAM/STEEL
L.4234	RACOR CONEXION INTER.-MAN. M6-1/8	RACOR CONNECTION THERM.
L.4246	RACORD CONEXION DESCARGA DREAM PID	WATER EXIT EXTENSION DREAM PID
L.4247	PROLONGACION GRIFO A 3/8"	TAP EXTENSION TO 3/8"
L.4249	CHARA GRUPO DREAM PID	GROUP PLATE DREAM PID
L.4301	TORNILLO SR 1972 NYLON 6.6 SR1972	NATURAL NYLON SCREW 6.6 SR1972
L.4358	FUNDA TERMICA INTECAMBIADOR INOX. PF	THERMICAL CASE FH
L.4547	LEVA PF COMPLETA 2018	LEVER FH COMPLETE 2018
L.4610	JUNTA 8.5x4.4x2 PTFE	GASKET 8.5x4.4x2 PTFE
L.4656	POMO VAPOR MADERA DREAM ARCE	STEAM TAP WOOD DREAM MAPLE
L.4706	TUBO VAPOR DREAM PID	STEAM PIPE DREAM PID
PM.212	CONJUNTO CUERPO GRIFO 2014	TAP ASSEMBLY 2014
PM.258	POMO VAPOR MADERA DREAM COMPLETO	SET STEAM TAP WOOD DREAM
PM.316	C/TO GRIFO DREAM PID	WHOLE TAP DREAM PID
PM.317	C/TO BOMBA DREAM PID 230V	230V PM DREAM PID PUMP WHOLE
PM.318	C/TO BOMBA DREAM PID 110V	110V PM DREAM PID PUMP WHOLE
PM.460	C/TO GRIFO DREAM PID 2019	WHOLE TAP DREAM PID 2019



REF.	DESCRIPCIÓN	DESCRIPTION
L..99	TORNILLO DIN 7985 M3x8 INOX A-4	SCREW DIN 7985 M3x8 INOX A-4
L..723	TORNILLO DIN 7985 M3 X 5 INOX	SCREW DIN 7985 M3 X 5 INOX
L..146	SOPORTE PLACA ELECTRONICA	THERMOSTAT SUPPORT
I.3324	SOPORTE DISPLAY DREAM PID	BRACKET DISPLAY DREAM PID
I.3673	CABLEADO BOTONERA DREAM PID	BOTTON WIRING
I.3957	CIRCUITO MULTIFUNCION+ DISPLAY 230V	MULTIFUNCTION+DISPLAY PCB 230V
I.3959	DISPLAY DREAM/STEEL PID	DREAM DISPLAY MULTIFUN. CIRCUIT
I.3980	CIRCUITO MULTIFUNCION+ DISPLAY 110V	MULTIFUNCTION+DISPLAY PCB 110V
I.4226	MIRILLA PANTALLA DREAM PID	SCREEN DREAM PID
I.4264	CABLE VOLUMETRICO DREAM / STEEL PID	FLOWMETER WIRE DREAM / STEEL PID
I.4299	SONDA TEMPERATURA INOX PID (M4) 2017	TEMPERATURE PROBE. INOX PID (M4) 2017
I.4312	CABLEADO DISPLAY DREAM PID	DISPLAY WIRING DREAM PID
I.4364	TECLA DREAM PID 2018	KEY DREAM PID 2018
I.4403	ARANDELA NYLON 3/8X2.5	WASHER NYLON 3/8X2.5
I.4469	CABLEADO GRUPO DREAM PID	GROUP WIRING DREAM PID



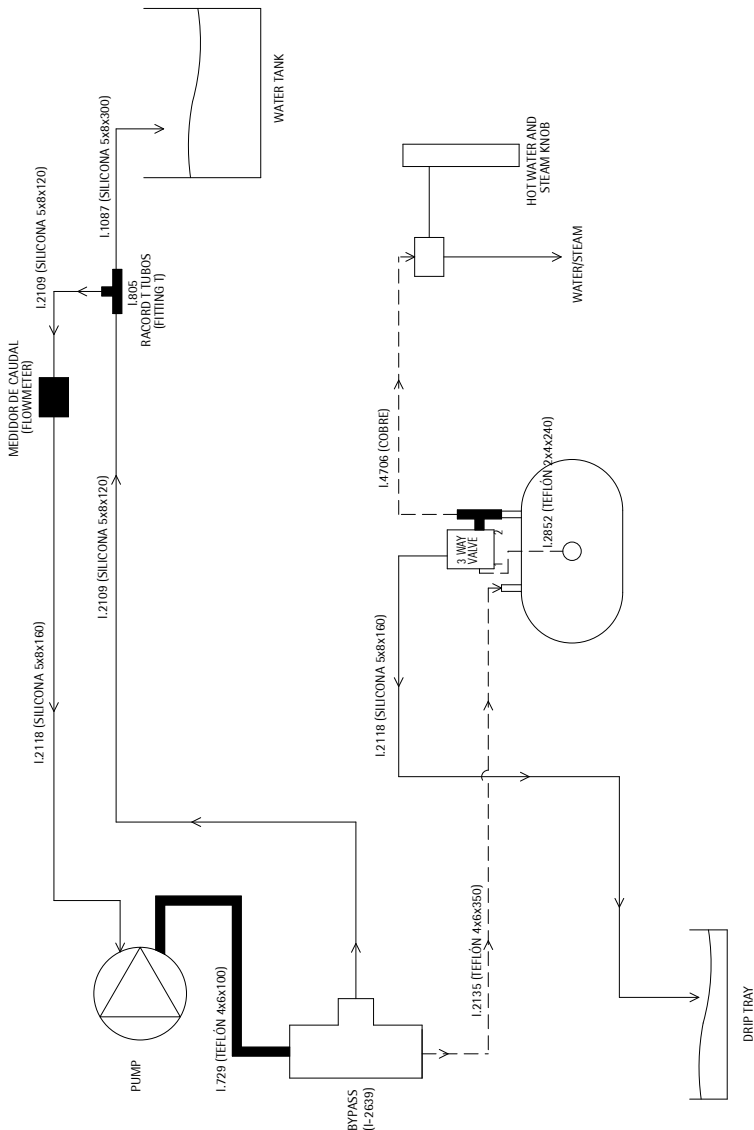


REF.	DESCRIPCIÓN	DESCRIPTION
ESC439	GRUPO INT. INOX STEEL TRIO PROF 230V 2017	GROUP INOX PROF TRIO 2017 230V
ESC442	GRUPO INT. INOX STEEL TRIO PROF 120V 2017	GROUP INOX PROF TRIO 2016 120V
I..534	FILTRO 1 CAFE PROFESIONAL	PROFESSIONAL 1 COFFEE FILTER
I..555	CACILLO POD PROF.	POD PROF. FILTER
I.1167	ARO RETENCION FILTRO PROF.	PROF. SPRING FILTER
I.1182	CACILLO CIEGO PROF/BARISTA	PROF BLIND FILTER
I.4568	CUERPO PORTAFILTRO M12 INCLINADO EXTRA PROFUNDO	FILTER HOLDER BODY M12 EXTRA DEEP
I.1603	MANGO PORTAFILTRO BARISTA	FILTERHOLDER HANDLE
I.1605	FILTRO 2 CAFES PROFESIONAL	PROFESSIONAL 2 COFFEE FILTER
I.1607	SALIDA 1 CAFE ABIERTA	1 COFFEE SPOUT
I.1608	SALIDA 2 CAFES ABIERTA	2 WAYS COFFEE SPOUT
I.2584	CIERRE S.CREMA KAP	EXTRA CREAM STOP KAP
I.2586	MUELLE S.CREMA BAR KAP	BAR KAP S.CREAM SPRING
I.2587	VALVULA S.CREMA KAP	KAP S.CREAM VALVE
I-2623	CACILLO POD PROF.	LADLE POP PROF.
I.2669	CACILLO 1C SC PROF	FILTER 1C SC PROF.
I.2670	CACILLO 2C SC PROF	FILTER 2C SC PROF.
I.2813	SALIDA CAFE KAP/BAR KAP	COFFE EXIT KAP/BAR KAP
I.2958	ARANDELA APOYO	WASHER
I.3807	ESPARRAGO ALLEN DIN 914 INOX M4x4	SOCKET SCREW DIN914 M4x4 INOX
I-3879	JUNTA PLANA PORTA CAPSULAS 36.5x50x2	SILICONE WASHER
I.3910	CUERPO PORTAFILTRO CAPS. FAP BARISTA-BAR-STEEL 016	FILTERHOLDER CAPS. FAP BARISTA-BAR-STEEL 016
I-4343	MANGO PORTA MADERA BARISTA / BIG DREAM PLUS	SET HANDLE WOOD BARISTA / BD PLUS
I-4659	MANGO PORTA BARISTA / BD PLUS ARCE	SET HANDLE MAPLE DREAM MAPLE
I-4684	PORTAFILTRO SIN FONDO BARISTA T	BT BOTTOMLESS FILTERHOLDER
PM.278	PORTAFILTRO COMPLETO CAPSULA 2016	COMPLETE CAPSULE FILTERHOLDER 2016
PM.279	PORTAFILTRO BARISTA SIN FONDO	BOTTOMLESS FILTERHOLDER
PM.444	PORTAFILTRO BARISTA T SIN FONDO	BT CMLPT. BOTTOMLESS F.HOLDER
PM.445	PORTAFILTRO BARISTA T SIN FONDO ARCE	BT CMLPT. BOTTOMLESS F.H. MAPLE
PM.446	PORTAFILTRO BARISTA T SIN FONDO MADERA	BT CMLPT. BOTTOMLESS F.H. WOOD
PM.447	CJTO PORTAFILTRO 1 CAFE BAR/BARISTA T	1 COFFEE BAR/BARISTA T FILTERHOLDER
PM.448	PORTA COMPLETO SIN FONDO BD SPECIALTY	BOTTOMLESS BD SPECIALTY FILTER
PM.449	PORTAFILTRO MADERA 1 CAFE BT COMPLETO	1 COFFEE BT FILTERHOLDER WOOD
PM.452	PORTAFILTRO 1 CAFE BT COMPLETO ARCE	1 COFFEE BT FILTERHOLDER MAPLE
PM.450	PORTAFILTRO 2 CAFES BT COMPLETO MADERA	2 COFFEES BT FILTERHOLDER WOOD
PM.453	PORTAFILTRO 2 CAFES BT COMPLETO ARCE	2 COFFEES BT FILTERHOLDER MAPLE

1 cup coffee			2 cup coffee		
Black	Wood (Walnut)	Wood (Maple)	Black	Wood (Walnut)	Wood (Maple)
PM.92 (-04/2019)	PM.260 (-04/2019)	PM.436 (-04/2019)	PM.91 (-04/2019)	PM.309 (-04/2019)	PM.437 (-04/2019)
PM.447 (+04/2019)	PM.449 (+04/2019)	PM.452 (+04/2019)	PM.448 (+04/2019)	PM.450 (+04/2019)	PM.453 (+04/2019)

Bottomless		
Black	Wood (Walnut)	Wood (Maple)
PM.279 (-04/2019)	PM.320 (-04/2019)	PM.432 (-04/2019)
PM.444 (+04/2019)	PM.446 (+04/2019)	PM.445 (+04/2019)

Esquema hidráulico Dream PID ■ Dream PID hydraulic diagram



REF.	DESCRIPCIÓN	DESCRIPTION
I..729	TUBO TEFLON 4X6 (100MM)	TEFLON PIPE 4X6 (100MM)
I..805	RACOR T TUBOS	FITTING T
I.1087	TUBO SILICONA 5X8 (300MM)	SILICONE PIPE 5X8 (300MM)
I.2109	TUBO SILICONA 5X8 (120MM)	SILICONE PIPE 5X8 (120MM)
I.2118	TUBO SILICONA 5X8 (160MM)	SILICONE PIPE 5X8 (160MM)
I.2135	TUBO TEFLON 4X6 (350MM)	TEFLON PIPE 4X6 (350MM)
I.2639	BY-PASS ASCASO	BY-PASS ASCASO
I.2852	TUBO TEFLON 2X4 (240MM)	TEFLON PIPE 2X4 (240MM)
I.4706	TUBO VAPOR DREAM PID	STEAM PIPE DREAM PID

REF.	DESCRIPCIÓN	DESCRIPTION
I.2560	CONTADOR VOLUMETRICO FHKSC	DIGMESA FLOWMETER
I.3957	CIRCUITO MULTIFUNCION+ DISPLAY 230V	MULTIFUNCTION+ DISPLAY PCB
I.3959	DISPLAY DREAM/STEEL PID	DREAM DISPLAY MULTIFUNCTION CIRCUIT
I.3980	CIRCUITO MULTIFUNCION + DISPLAY 110V	MULTIFUNCTION + DISPLAY PCB 110V
I.4175	CALIENTA TAZAS DREAM / STEEL PID 230V	CUPWARMER DREAM / STEEL PID 230V
I.4337	CALIENTA TAZAS DREAM / STEEL PID 110V	CUPWARMER DREAM / STEEL PID 110V
I.4469	CABLEADO DREAM PID COMPLETO	COMPLETE WIRING DREAM PID

