

A400 FRESH BREW

The A400 Fresh Brew system allows for consistent, bean-to-cup, hot coffee every time. This machine has a small footprint that is perfect where space is limited like convenience stores, office locations and hotels. The fully automatic machine allows customers to easily choose up to four sizes of hot, fresh coffee in three quick steps with Advanced User Interface.

RECOMMENDED DAILY OUTPUT

Cups per Day: Up to 100



EASYCLEAN

Automatic cleaning system – perfect hygiene in just a few steps.



TOUCH SCREEN

8" ultra-thin touch screen for efficient easy operation.



FRANKE DIGITAL SERVICES

A clear view of commercial and operational performance.

FRANKE

MAKE IT WONDERFUL

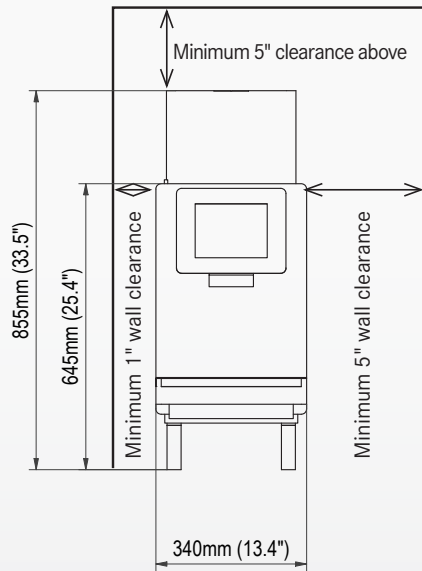
TECHNICAL DATA

MACHINE MODEL

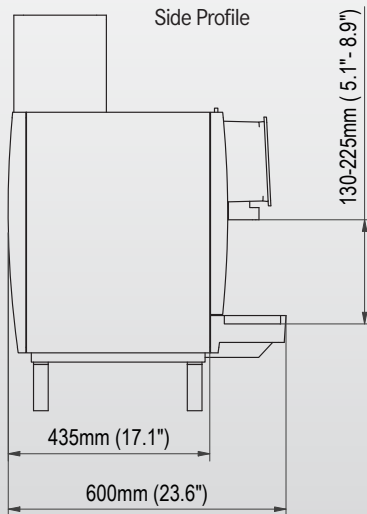
Model	Power
A400 Fresh Brew	208V (30A)
	60 Hz 2.3-2.7 kW (20/30 A)
Dimensions	13.4"W x 33.5"H x 23.6"D
Weight (empty)	Approx. 95 lbs



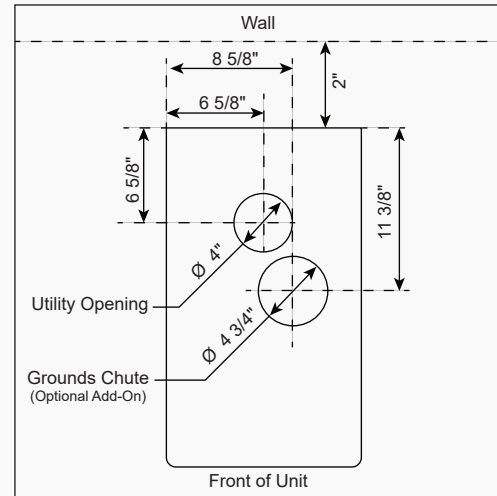
Standard Configuration - Front Profile



Side Profile



Utility and Grounds Chute Openings



WATER QUALITY

Aroma	Fresh and pure taste, with no perceptible aroma
Color	Clear
Total Hardness	70 - 140 ppm (mg/l)
Carbonate hardness	3 - 6° dH CH (carbonate hardness)
	50 - 105 ppm (mg/l)
Acid content/ph value	6.5 - 7.5 pH
Chlorine content	< 0.5 mg/l
Chloride content	< 30 mg/l
Total Dissolved Solids (TDS)	30 - 150 ppm (mg/l)
Electrical conductivity	50 - 200 µS/cm (microsiemens)
Iron Content	< 0.3 mg/l
Water pressure	80 - 800 kPa (0.8 - 8 bar)
Flow rate	> 0.1 l/sec
Water temperature	< 25°C

WATER CONNECTION AND DRAIN

Water connection	3/8" compression fitting, L = 59"
Drain hose	Dia = 0.75", L - 78.7"



ELT LISTED CONFORMS TO
UL STD 197 CERTIFIED TO
CSA STD C22.2
NO 109



CONFORMS TO
NSF STD 4



MAKE IT WONDERFUL

Franke Coffee Systems Americas
cs-coffeesales.us@franke.com

800.310.5710
us.coffee.franke.com

Franke Kaffeemaschinen AG
cs-info.ch@franke.com
Switzerland

Franke Coffee Systems GmbH
cs-info.de@franke.com
Germany

Franke Coffee Systems UK
sales@Frankecoffeeysystems.co.uk
United Kingdom